

### Model 07300 Service Items

Item	Description	Part No.	Item	Description	Part No.
1	Vaccum Tube Kit	822599	5	Kit Venturi**	822647
2	Kit, Exhaust Muffler*	822644	6	Base Kit***	822574
3	Kit, Control Valve	822645	7	Kit, Lid and Float****	822648
4	Kit, Tube and Connectors	822646	8	Plastic Adapter	822597

\* Consists of three mufflers

\*\* Consists of venturi and connectors

\*\*\* Consists of base and foot bracket

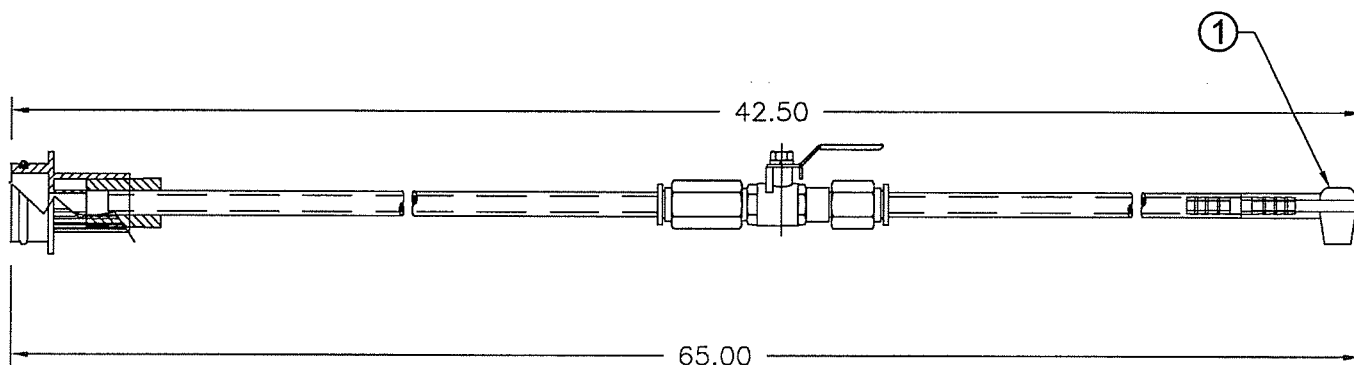
\*\*\*\* Consists of top and overfill float

## **Bleeding Anti-Lock Brake Systems**

Always refer to the vehicle's owner manual or the appropriate service manual for manufacturer's brake bleeding procedure. The front brakes on most anti-lock brake systems may be bled in the conventional manner. Most hydraulic pump/pressure accumulator units are fitted with a bleeder valve, which must be bled when the system has lost fluid or is being replaced. Some vehicles require that the system be pressurized when the rear brakes are bled. Acura, Ford and General Motors require a bleeding procedure, which uses specialized equipment.

## **Bench Bleeding System**

Whenever a master cylinder has been removed from a vehicle or a new one is being installed, the master cylinder must be bench bled. Failure to bench bleed is the main reason for unsuccessful master cylinder replacement. Bench bleeding greatly decreases the chance that any air will be caught in the cylinder upon reinstallation. Most manufacturers include a bench bleeding kit with new or remanufactured master cylinders. If this kit was not included with the replacement part to be installed, consult with your retailer prior to installing the new or rebuilt master cylinder on the vehicle.



Item	Description	Part No.
1	Brake Bleeding Adapter *	822559

\* Consists of three adapters