



CLAMP-ON AUTO-REFILL KIT MODEL MVA6832

USER'S MANUAL

Have Technical Questions?

If you have questions, or require technical service, please contact our trained service technicians at:

1-314-679-4200 ext. 4782

Monday - Friday 7:30 am to 4:15 pm
CST

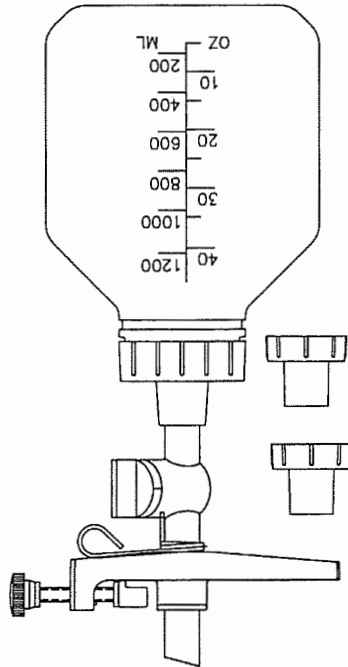
Visit our website at www.mityvac.com for new products, catalogs and instructions for product use.

Need Service Parts?

To order replacement or service parts, visit us online at www.mityvacparts.com or call toll free 1-800-992-9898.

Reservoir Specifications

Capacity: 40 ounces (1200 milliliters)



Important Precautions

- Brake fluid is highly corrosive. Wear gloves and approved safety goggles at all times, and prevent contact of the fluid with painted surfaces.
- Consult and follow the vehicle manufacturer's recommended procedures when servicing any hydraulic system.
- Properly dispose of old fluids, and replenish hydraulic systems with new brake fluid from freshly opened containers.

Principle of Operation

This unit is designed to automatically maintain the level of new brake fluid in the master or slave cylinder of a hydraulic brake or clutch system while the system is bled manually or by vacuum. Fluid flows from a reservoir into the master cylinder by means of a tube and base. The unit has a ¼ turn valve for turning the flow on or off, and means for adjusting the level of fluid in the master cylinder. A 40 oz (1200 ml) reservoir is included for use when dispensing fluids from bulk containers. Two adapter caps are also included, which allow direct adaptation of standard 12 oz. and 32 oz. brake fluid bottles to the valve assembly and base.

Instructions for use

Important: This unit is designed for servicing a variety of vehicles in a safe, convenient manner. However, the varying shapes, sizes, designs and locations of master cylinders prevent its use on every vehicle and application. Check the unique design and location of your master cylinder prior to proceeding with the following instructions.

1. Fill the 40 oz (1200 ml) reservoir with vehicle manufacturer's recommended brake fluid, to a level exceeding the amount of fluid to be bled (Fig 1), and install the lid. Or, remove the lid from a standard new 12 oz. or 32 oz. bottle of brake fluid, and thread on the appropriate size Adapter Cap.
2. Clean the exterior of the master cylinder and master cylinder cap to prevent dirt from entering the master cylinder when the cap is removed.
3. Remove the cap from the master cylinder, and set the Refill Base onto the neck of the master cylinder.
4. Clamp the base to the neck of the master cylinder by tightening the Sliding Block Knob (Fig 2).
5. Install the Adjustment Spring onto the neck of the Valve Assembly as shown (Fig 3).
6. Slide the neck of the Valve Assembly through the hole in the Refill Base, and use the Adjustment Spring to align the bottom of the neck with the MAX fill line on the master cylinder (Fig 3).
7. Remove the Valve Assembly from the base and insert it into the lid of the pre-filled Reservoir Bottle or into the Adapter Cap installed on a bottle of brake fluid (Fig 4).
8. CHECK TO ENSURE THAT THE VALVE IS IN THE "CLOSED" POSITION.
9. Turn over the reservoir/bottle and valve assembly, and insert it back into the Refill Base (Fig 5).
10. Open the valve to allow fluid to flow into the master cylinder. Leave the valve open while bleeding the hydraulic system, and the unit will automatically maintain the level of fluid at the MAX fill line.

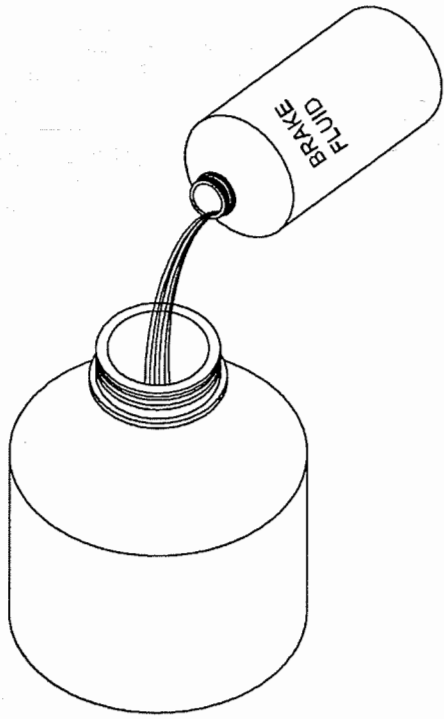


Figure 1.

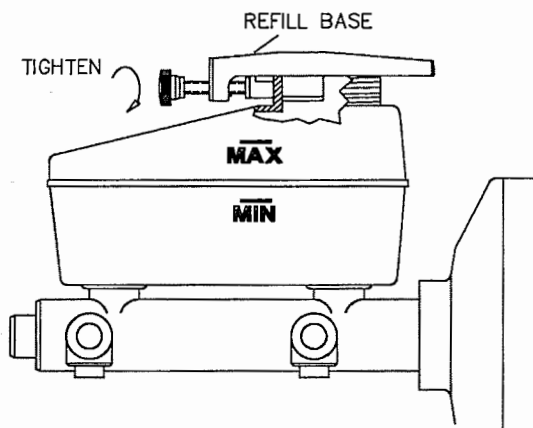


Figure 2

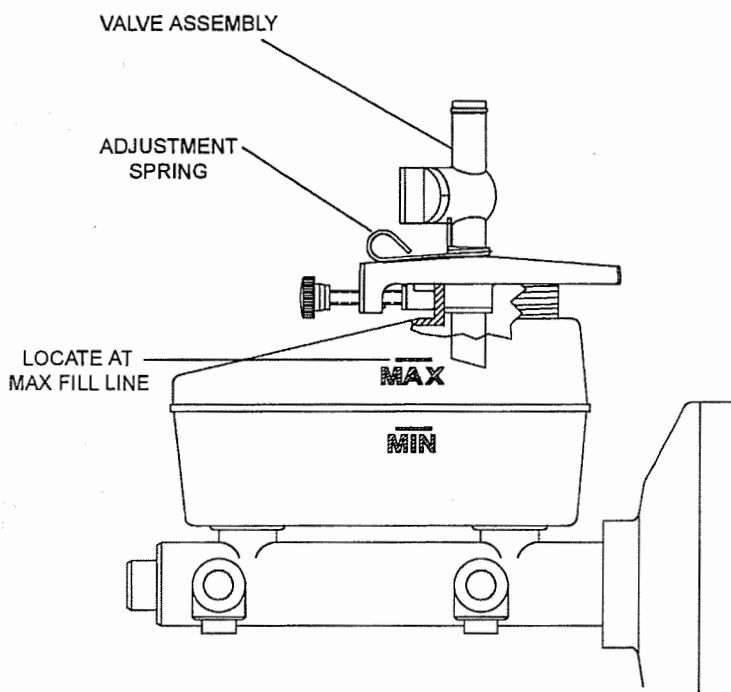


Figure 3

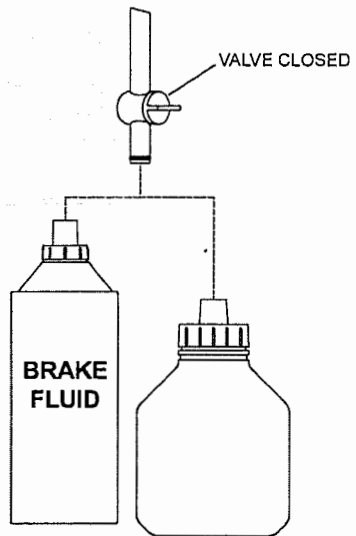


Figure 4

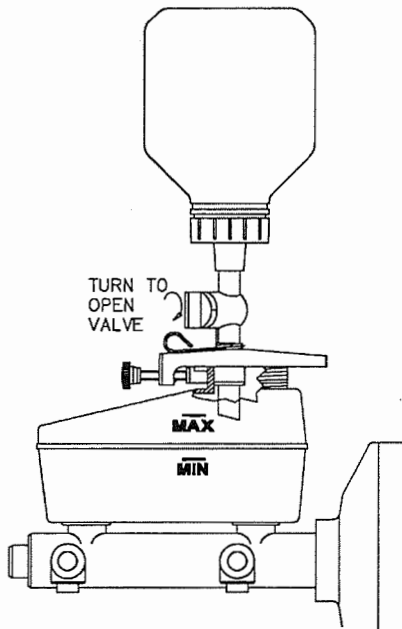
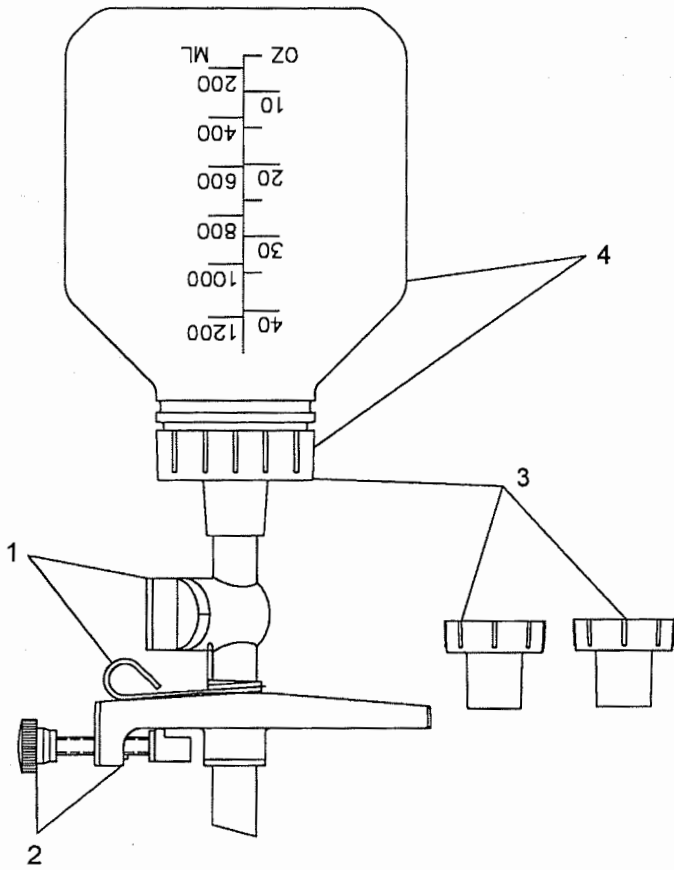


Figure 5



Model MVA6832 Service Items		
Item	Part No.	Description
1	823560	Valve Kit
2	823561	Refill Base Kit
3	823562	Cap Kit
4	823563	Bottle Kit

Lincoln Industrial Standard Warranty

LIMITED WARRANTY

Lincoln warrants the equipment manufactured and supplied by Lincoln to be free from defects in material and workmanship for a period of one (1) year following the date of purchase, excluding there from any special, extended, or limited warranty published by Lincoln. If equipment is determined to be defective during this warranty period, it will be repaired or replaced, within Lincoln's sole discretion, without charge.

This warranty is conditioned upon the determination of a Lincoln authorized representative that the equipment is defective. To obtain repair or replacement, you must ship the equipment, transportation charges prepaid, with proof of purchase to a Lincoln Authorized Warranty and Service Center within the warranty period.

This warranty is extended to the original retail purchaser only. This warranty does not apply to equipment damaged from accident, overload, abuse, misuse, negligence, faulty installation or abrasive or corrosive material, equipment that has been altered, or equipment repaired by anyone not authorized by Lincoln. This warranty applies only to equipment installed, operated and maintained in strict accordance with the written specifications and recommendations provided by Lincoln or its authorized field personnel.

THIS WARRANTY IS EXCLUSIVE AND IS IN LIEU OF ANY OTHER WARRANTIES, EXPRESS OR IMPLIED, INCLUDING, BUT NOT LIMITED TO, THE WARRANTY OF MERCHANTABILITY OR WARRANTY OF FITNESS FOR A PARTICULAR PURPOSE.

In no event shall Lincoln be liable for incidental or consequential damages. Lincoln's liability for any claim for loss or damages arising out of the sale, resale or use of any Lincoln equipment shall in no event exceed the purchase price. Some jurisdictions do not allow the exclusion or limitation of incidental or consequential damages, therefore the above limitation or exclusion may not apply to you.

This warranty gives you specific legal rights. You may also have other rights that vary by jurisdiction.

Customers not located in the Western Hemisphere or East Asia: Please contact Lincoln GmbH & Co. KG, Walldorf, Germany, for your warranty rights.

Lincoln Industrial Special Limited Warranties

SPECIAL LIMITED 2 YEAR WARRANTY

SL-V Series, Single Injectors-85772, 85782, and Replacement Injectors-85771, 85781

Lincoln warrants the SL-V Injector series to be free from defects in material and workmanship for two (2) years following the date of purchase. If an injector model (single or replacement) is determined to be defective by Lincoln, in its sole discretion, during this warranty period, it will be repaired or replaced, at Lincoln's discretion, without charge.

SPECIAL LIMITED 5 YEAR WARRANTY

Series 20, 25, 40 Bare Pumps, Heavy Duty and 87000 Series Bare Reels

Lincoln warrants series 20, 25, 40 bare pumps, and Heavy Duty and 87000 series (87300, 87500, 87700) bare reels to be free from defects in material and workmanship for five (5) years following the date of purchase. If equipment is determined by Lincoln, in its sole discretion, to be defective during the first year of the warranty period, it will be repaired or replaced at Lincoln's discretion, without charge. In years two (2) and three (3), the warranty on this equipment is limited to repair with Lincoln paying parts and labor only. In years four (4) and five (5), the warranty on this equipment is limited to repair with Lincoln paying for parts only.

Lincoln Industrial Contact Information

To find Lincoln Industrial's Nearest Service Center call the following numbers, or you may also use our website

Customer Service 314-679-4200
Website lincolnindustrial.com

Americas:
One Lincoln Way
St. Louis, MO 63120-1578
USA
Phone +1.314.679.4200
Fax +1.800.424.5359

Europe/Africa:
Heinrich-Hertz-Str 2-8
D-69183 Walldorf
Germany
Phone +49.6227.33.0
Fax +49.6227.33.259

Asia/Pacific:
51 Changi Business Park
Central 2
#09-06 The Signature
Singapore 486066
Phone +65.6588.0188
Fax +65.6588.3438

© Copyright 2004
Printed in USA

Web site:
www.lincolnindustrial.com