

USER'S MANUAL

Have Technical Questions?

If you have questions, or require technical service, please contact our trained service technicians at:

1-314-679-4200 ext. 4782
Monday - Friday 7:30 am to 4:15 pm CST

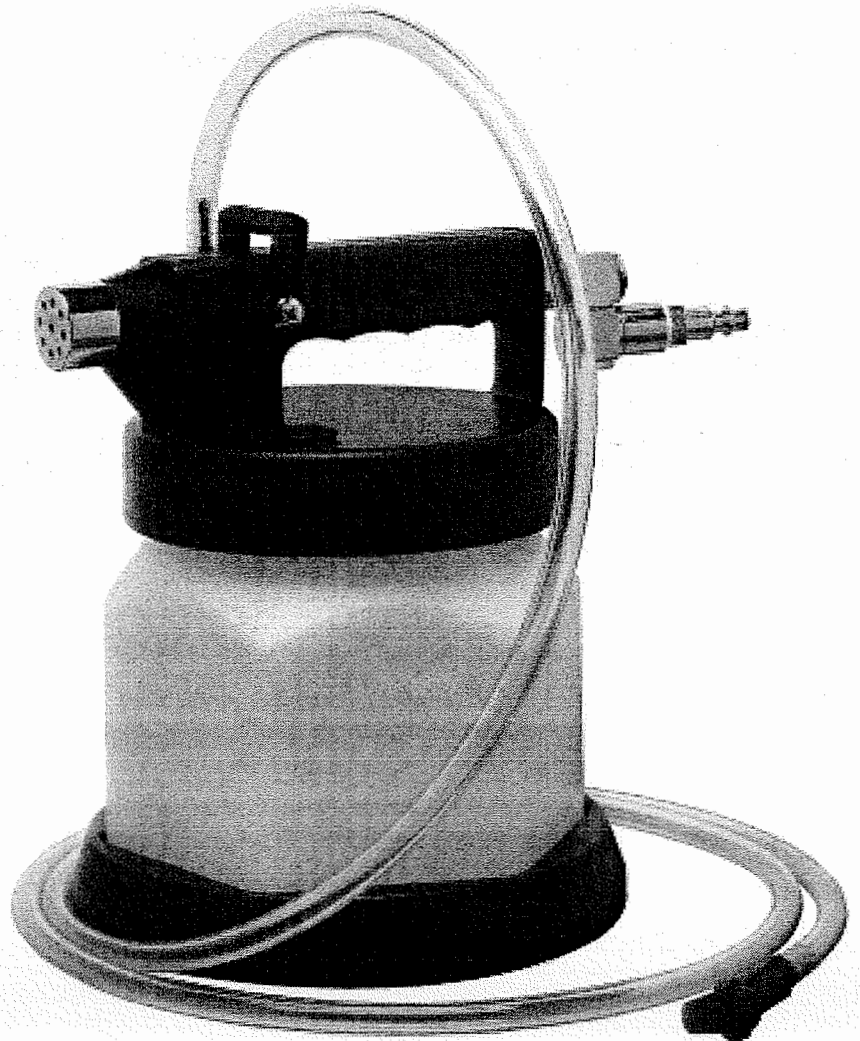
Visit our website at www.mityvac.com for new products, catalogs and instructions for product use.

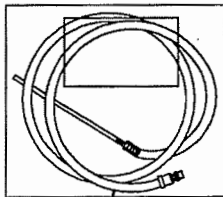
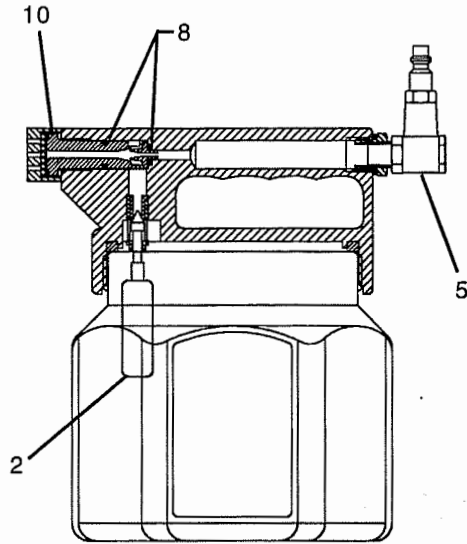
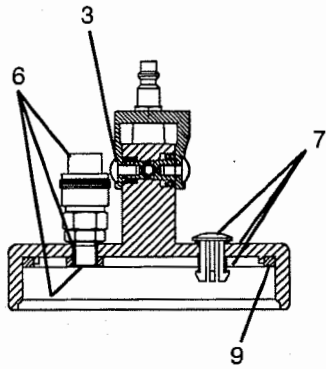
Need Service Parts?

To order replacement or service parts, visit us online at www.mityvacparts.com or call toll free 1-800-992-9898.

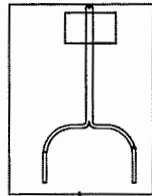
SPECIFICATIONS

Reservoir Capacity:	1.9 quarts (1.8 liters)
Evac Tube Length:	48 in. (1220 cm)
Working Pressure:	60 to 150 psi (4.1 to 10.3 bar)
Air Consumption:	4.3 scfm @ 90 psi (2.0 l/s @ 6.2 bar)
Vacuum	
@ 30 psi (2.0 bar):	6.5 in. hg (22 kpa)
@ 60 psi (4.1 bar):	16.5 in. hg (56 kpa)
@ 90 psi (6.2 bar):	26.5 in. hg (90 kpa)
@ 150 psi (10.3 bar):	27 in. hg (91 kpa)
Fill Rate	
@ 30 psi (2.0 bar):	24.5 oz/min (725 ml/min.)
@ 60 psi (4.1 bar):	49.5 oz/min (1460 ml/min.)
@ 90 psi (6.2 bar):	70.5 oz/min (2095 ml/min.)
@ 150 psi (10.3 bar):	70.5 oz/min (2095 ml/min.)

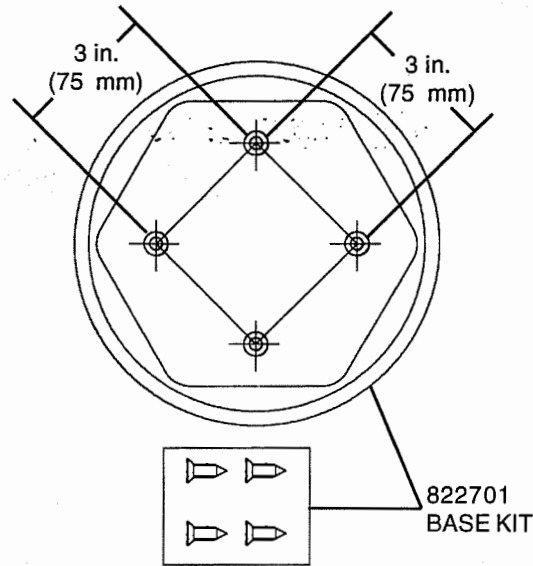




11



1



822701
BASE KIT

BRAKE BLEEDER KIT COMPONENTS

Item	Part No.	Description	Item	Part No.	Description
1	822753	HOOK KIT	7	822704	VENT KIT
2	822731	FLOAT KIT	8	822705	O-RING KIT
3	822700	VALVE KIT	9	822706	RESERVOIR GASKET KIT
4	822701	BASE KIT	10	822709	MUFFLER KIT
5	822702	COUPLER SWIVEL KIT	11	822722	SUCTION TUBE KIT
6	822703	COUPLER KIT			

Important Precautions

- Always read carefully and understand instructions prior to using this equipment
- Wear gloves and approved safety goggles while using this product.
- Consult and follow the vehicle manufacturer's recommended procedures.
- Do not use this unit with flammable liquids or with fluids at temperatures above 175° Fahrenheit (80° Celsius).
- Properly dispose of old fluids.
- Do not attempt to pressurize the bleeder/evacuator. It is designed for vacuum use only.
- This unit is equipped with an automatic shut-off device that will prevent fluid from entering the compressed air stream and ejecting through the exhaust. However, if the unit is continuously operated when the reservoir is full, residual pressure will allow the reservoir to completely fill with fluid, creating the potential for spillage when the lid is removed. To prevent this situation, empty or turn the unit off prior to filling the reservoir completely full.

Principal of Operation

This unit is designed for use as a fluid evacuator. It utilizes compressed air between 60 psi (4.1 bar) and 150 psi (10.3 bar), and a venturi system, to build vacuum in the reservoir. By attaching the proper accessory to the coupler located on the top of the unit, the vacuum can be used to evacuate a variety of fluids from reservoirs including the master cylinder or those for power steering fluid or engine coolant.

Instructions for Using the Mini-Fluid Evacuator

1. Connect clean, regulated (60 psi (4.1 bar) to 150 psi (10.3 bar)) compressed air to the male quick disconnect nipple attached to the swivel air inlet, located on one end of the vacuum bleeder handle.
2. Connect the appropriate end of the evac tube assembly to the female quick disconnect coupler located on top of the evacuator.
3. Insert the other end of the evac tube assembly into the fluid reservoir, and push the evacuator

throttle forward to start the vacuum (allow a few seconds for vacuum to build in the bleeder reservoir before suction occurs).

4. Once all fluid is removed, turn off the evacuator.

Lincoln Industrial Standard Warranty

LIMITED WARRANTY

Lincoln warrants the equipment manufactured and supplied by Lincoln to be free from defects in material and workmanship for a period of one (1) year following the date of purchase, excluding there from any special, extended, or limited warranty published by Lincoln. If equipment is determined to be defective during this warranty period, it will be repaired or replaced, within Lincoln's sole discretion, without charge.

This warranty is conditioned upon the determination of a Lincoln authorized representative that the equipment is defective. To obtain repair or replacement, you must ship the equipment, transportation charges prepaid, with proof of purchase to a Lincoln Authorized Warranty and Service Center within the warranty period.

This warranty is extended to the original retail purchaser only. This warranty does not apply to equipment damaged from accident, overload, abuse, misuse, negligence, faulty installation or abrasive or corrosive material, equipment that has been altered, or equipment repaired by anyone not authorized by Lincoln. This warranty applies only to equipment installed, operated and maintained in strict accordance with the written specifications and recommendations provided by Lincoln or its authorized field personnel.

THIS WARRANTY IS EXCLUSIVE AND IS IN LIEU OF ANY OTHER WARRANTIES, EXPRESS OR IMPLIED, INCLUDING, BUT NOT LIMITED TO, THE WARRANTY OF MERCHANTABILITY OR WARRANTY OF FITNESS FOR A PARTICULAR PURPOSE.

In no event shall Lincoln be liable for incidental or consequential damages. Lincoln's liability for any claim for loss or damages arising out of the sale, resale or use of any Lincoln equipment shall in no event exceed the purchase price. Some jurisdictions do not allow the exclusion or limitation of incidental or consequential damages, therefore the above limitation or exclusion may not apply to you.

This warranty gives you specific legal rights. You may also have other rights that vary by jurisdiction.

Customers not located in the Western Hemisphere or East Asia: Please contact Lincoln GmbH & Co. KG, Walldorf, Germany, for your warranty rights.

Lincoln Industrial Contact Information

To find Lincoln Industrial's Nearest Service Center call the following numbers, or you may also use our website.

Customer Service 314-679-4200
Website lincolnindustrial.com

Americas: One Lincoln Way St. Louis, MO 63120-1578 USA Phone +1.314.679.4200 Fax +1.800.424.5359	Europe/Africa: Heinrich-Hertz-Str 2-8 D-69183 Walldorf Germany Phone +49.6227.33.0 Fax +49.6227.33.259	Asia/Pacific: 25 Int'l Business Park #01-65 German Centre Singapore 609916 Phone +65.562.7960 Fax +65.562.9967	© Copyright 2004 Printed in USA Web site: www.lincolnindustrial.com
---	---	---	--
