



SUPERPUMP BRAKE BLEEDING KITS MODELS MV6815 AND MV6817

USER'S MANUAL

Have Technical Questions?

If you have questions, or require technical service, please contact our trained service technicians at:

1-314-679-4200 ext. 4782

Monday - Friday 7:30 am to 4:15 pm CST

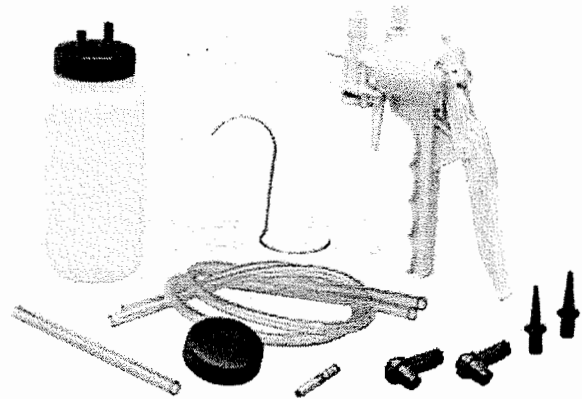
Visit our website at www.mityvac.com for new products, catalogs and instructions for product use.

Need Service Parts?

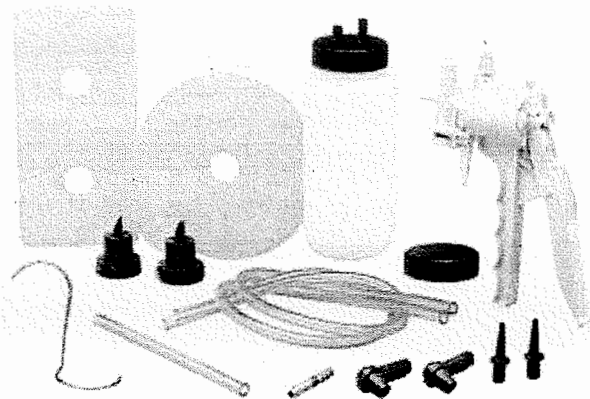
To order replacement or service parts, visit us online at www.mityvacparts.com or call toll free 1-800-992-9898.

Pump Specifications:

Displacement:	2 in ³ (32.8 cc) per stroke.
Max. Vacuum:	25 in HG (635 mm KG)
Max. Pressure:	16 psi (1.1 bar)
Reservoir Capacity:	16 oz. (0.47 Liters)

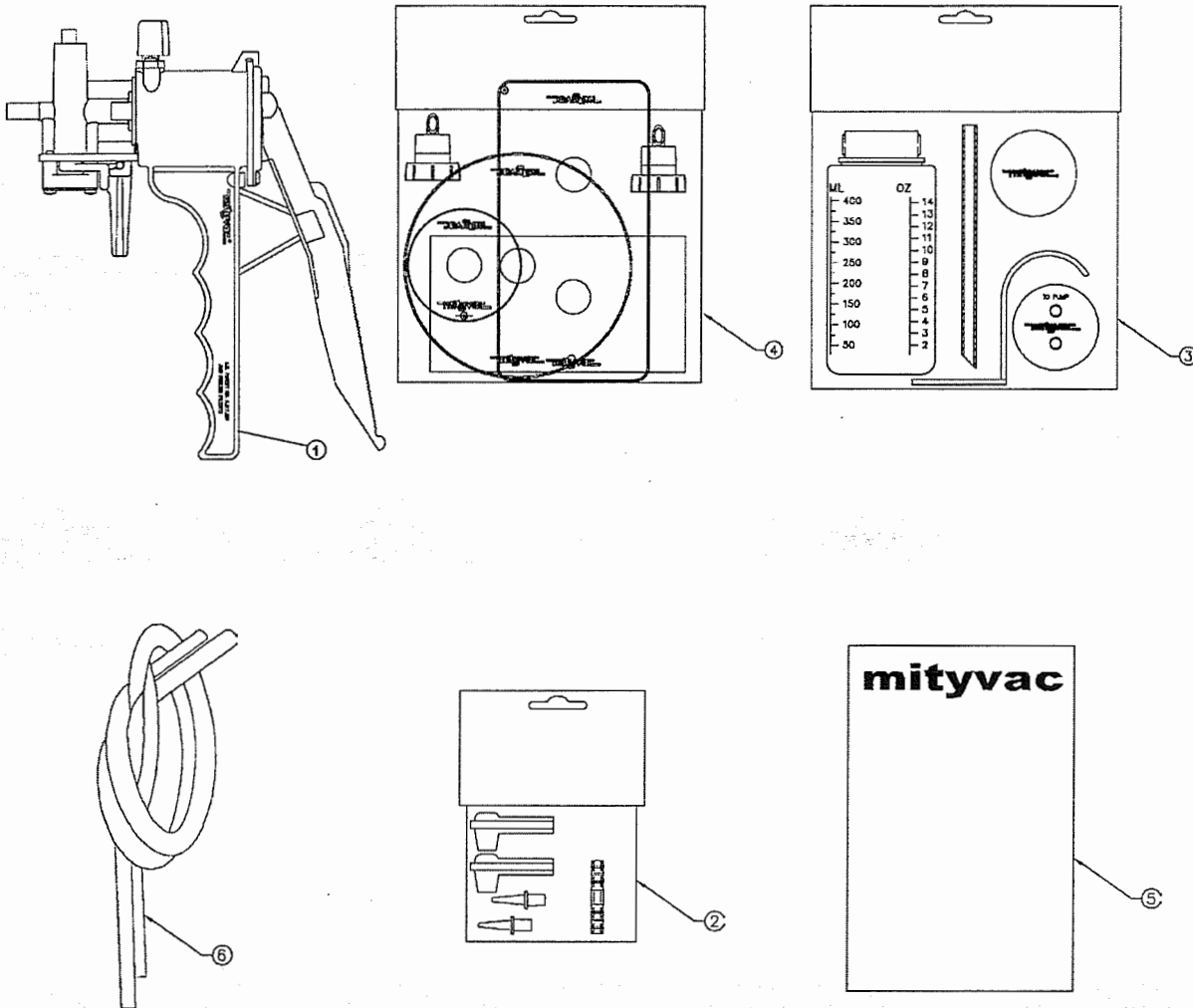


MV6815



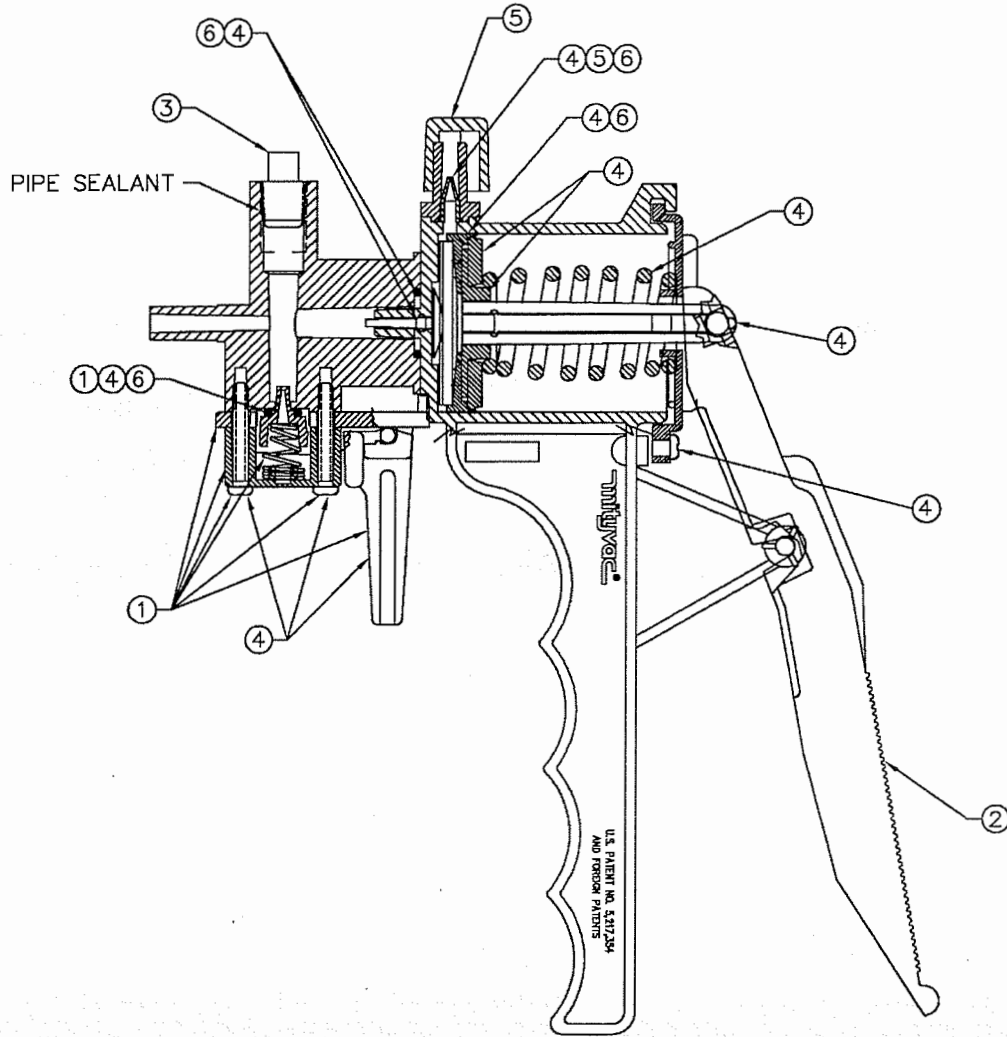
MV6817

**Superpump Brake Bleeding Kits
Models MV6815 and MV6817**



Models MV6815 & MV6817 Service Items

Item	Description	Part No.
1	Vacuum pump	MV6212
2	Brake Bleed Adapter Kit	MVA6003
3	Fluid Reservoir Kit	MVA6005
4	Auto Refill Kit (MV6817 Only)	MVA6825
5	Instruction Manual	822326
6	1/4" ID x 24" Long (6.4 mm x 610 mm long) Tubing	822391



Model MV6212 Service Items

Item	Description	Part No.
1	Vacuum Release Kit	822385
2	Handle	822386
3	E-Plug	822351
4	Maintenance Kit	06100
5	Exhaust Kit	822388
6	Seal Kit	822389

**Superpump Brake Bleeding Kit
Models MV6815 and MV6817**



LIMITED WARRANTY-

Lincoln warrants the equipment it supplies to be free from defects in material and workmanship for one (1) year following the date of purchase. If equipment proves to be defective during this warranty period it will be repaired or replaced, at Lincoln's discretion, without charge provided that factory authorized examination indicates the equipment to be defective. To obtain repair or replacement, you must ship the equipment, transportation charges prepaid, with proof of date of purchase to a Lincoln authorized warranty and service center, within one (1) year following the date of purchase.

This warranty is extended to the original retail purchaser only. It does not apply to equipment damaged from accident, overload, abuse, misuse, negligence, faulty installation or abrasive or corrosive material, or to equipment repaired or altered by anyone not authorized by Lincoln to repair or alter the equipment. This warranty applies only to equipment installed and operated according to the recommendations of Lincoln or its authorized field personnel. No other express warranty applies.

Any implied warranties applicable to equipment supplied by Lincoln, including the warranties of merchantability and fitness for a particular purpose, will last for only one (1) year from the date of purchase. Some jurisdictions do not allow limitations on how long an implied warranty lasts, so the above limitation may not apply to you.

In no event shall Lincoln be liable for incidental or consequential damages. Lincoln's liability on any claim for loss or damages arising out of the sale, resale or use of equipment it supplies shall in no event exceed the purchase price. Some jurisdictions do not allow the exclusion or limitation of incidental or consequential damages, so the above limitation or exclusion may not apply to you.

This warranty gives you specific legal rights. You may also have other rights that vary by jurisdiction.